



**SPARE PARTS CATALOGUE
ERSATZTEILKATALOG
CATALOGUE PIECES DETACHEES
CATALOGO PARTI RICAMBIO
CATALOGO DE PIEZAS DE RECAMBIO
CATALOGO PECAS, DE REPOSICAO**

Catalogo parti di ricambio valido
dalla matricola 4329066 ad oggi (17/11/2021)

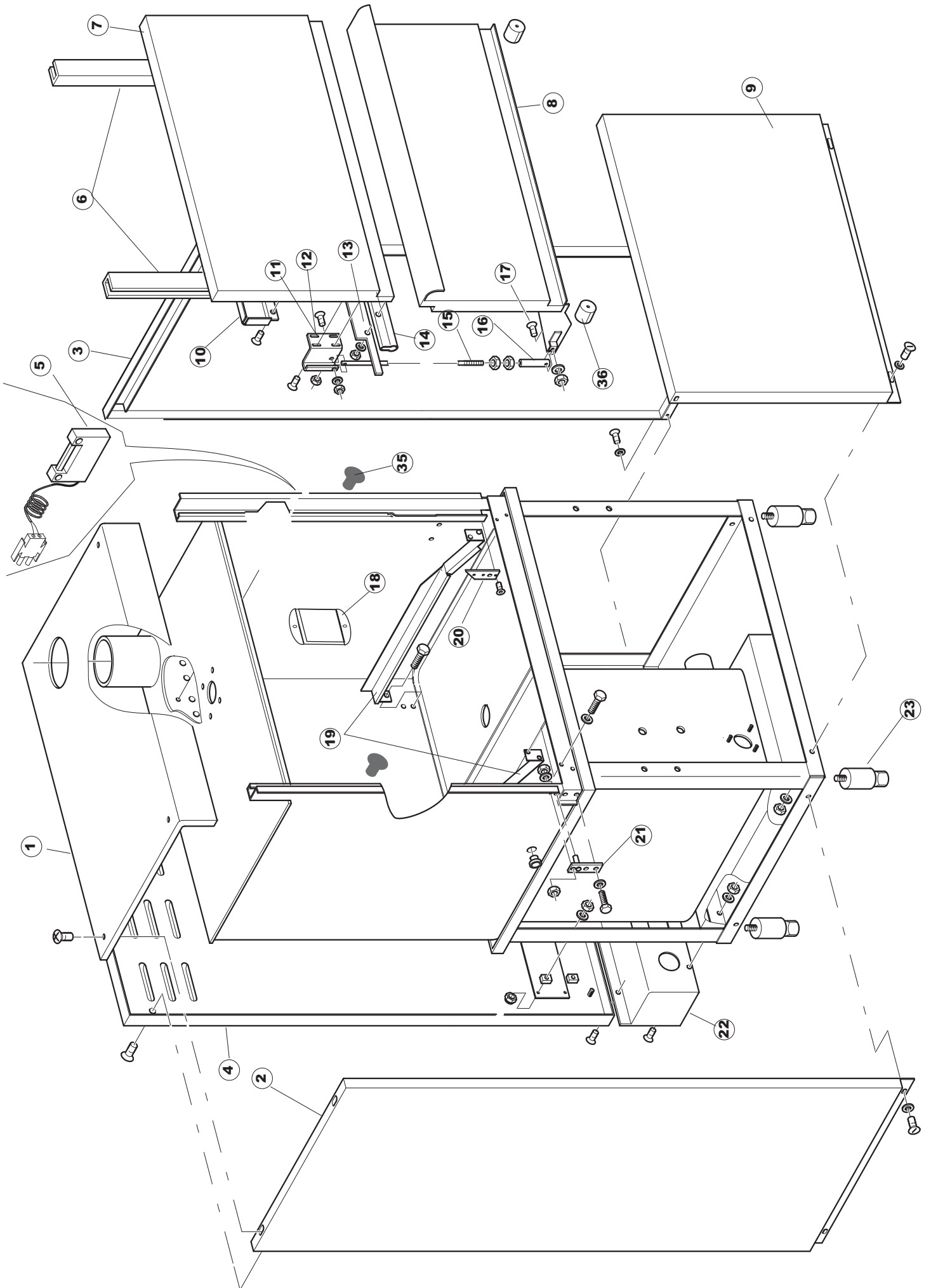
Catalogue pieces detachees
du numero de Série n. 4329066 jusqu'à aujourd'hui (17/11/2021)

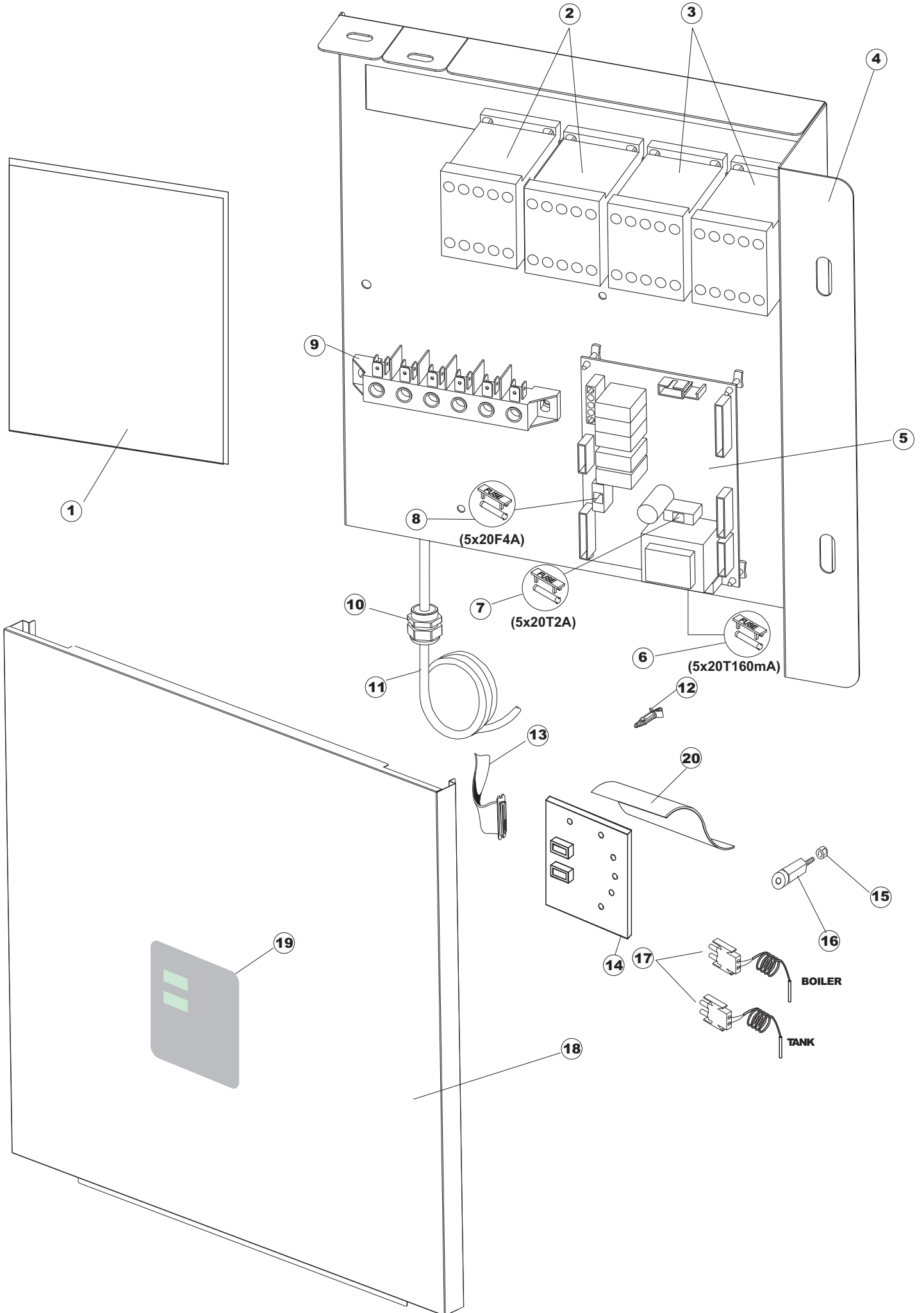
Ersatzteilkatalog
gültig ab Serien-Nr. 4329066 bis heute (17/11/2021)

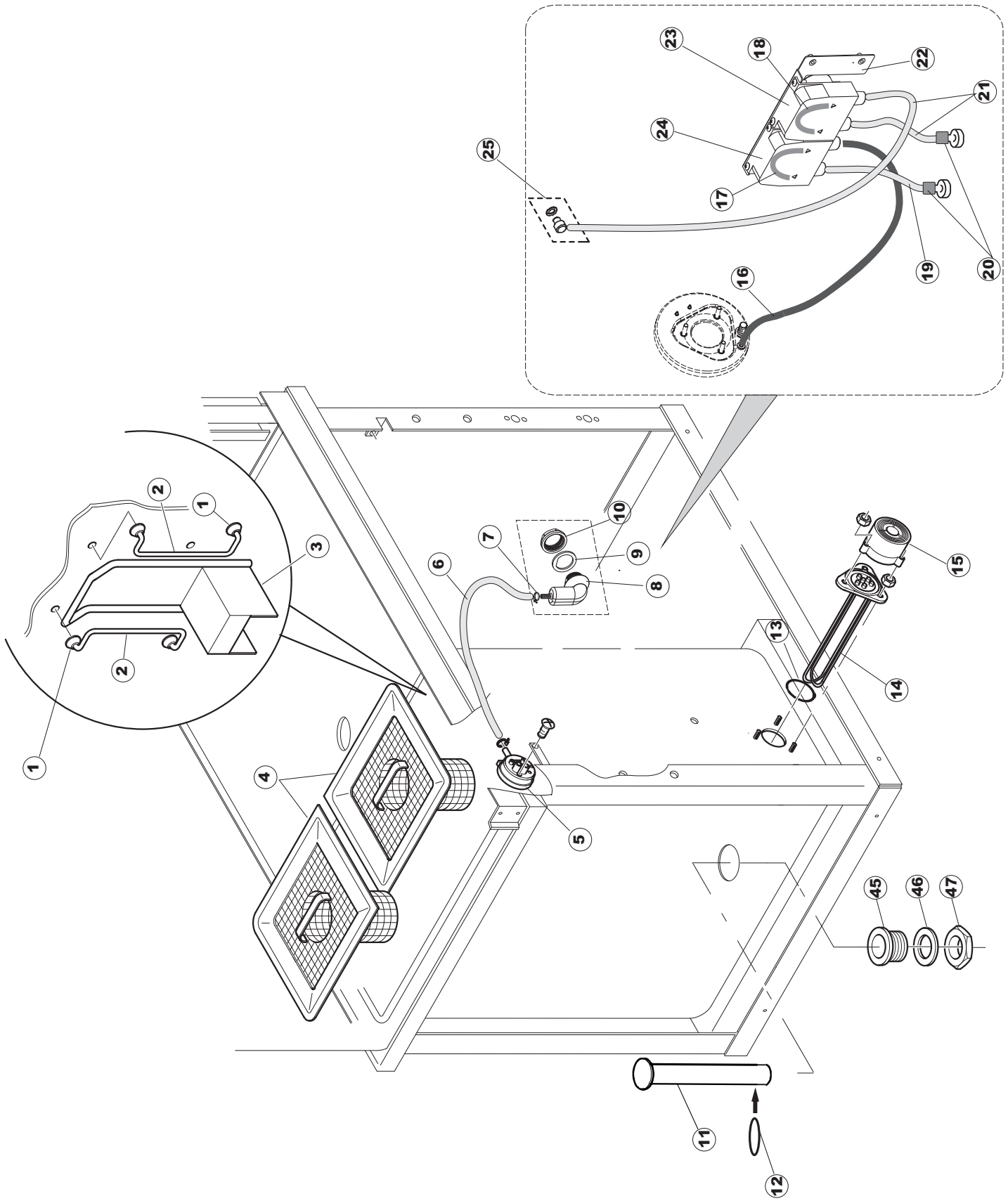
Spare parts catalogue
valid from serial no. 4329066 up today (17/11/2021)

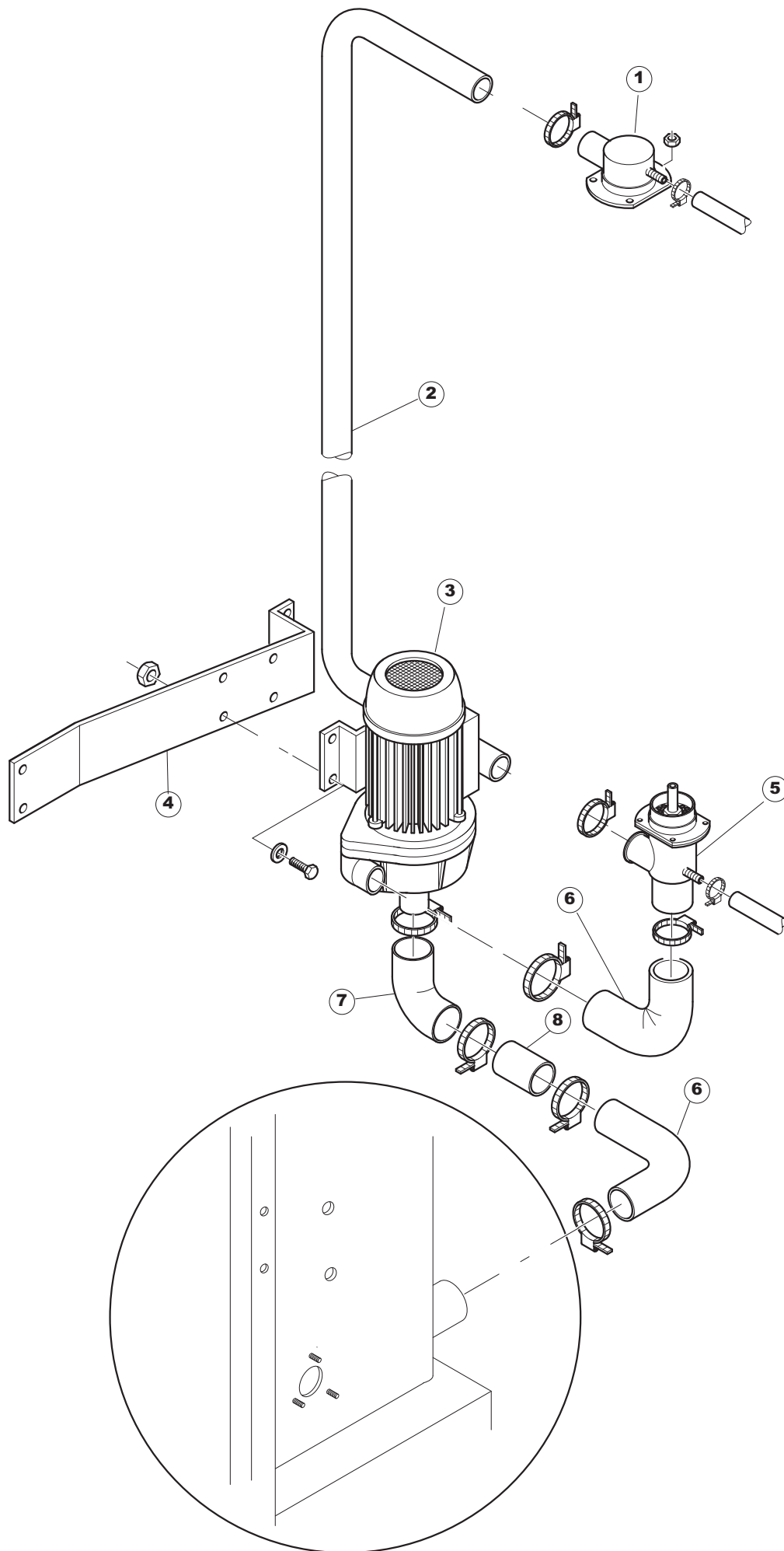
Catálogo de peças de reposição
válido do número de série 4329066 até hoje (17/11/2021)

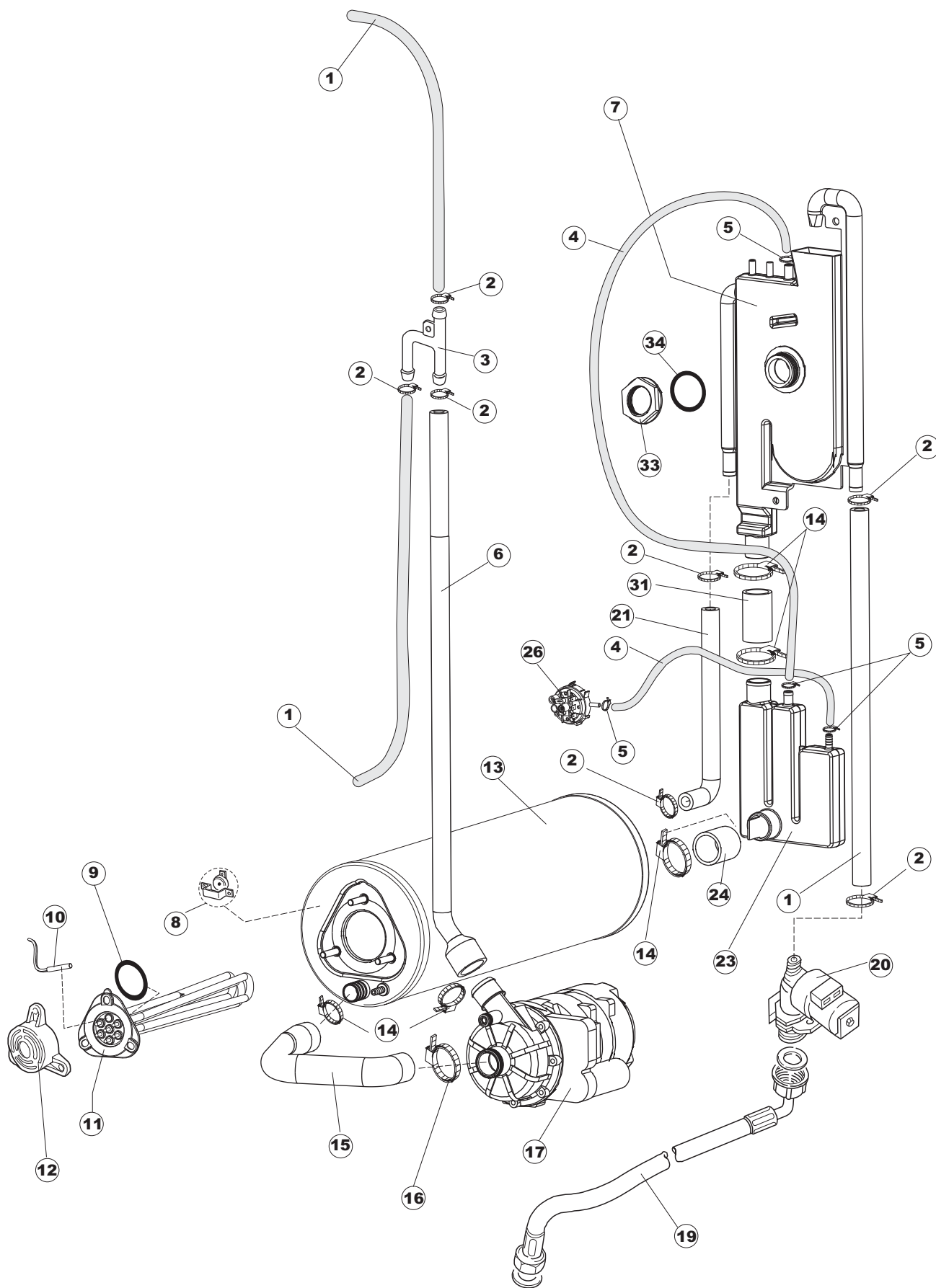
LP7023

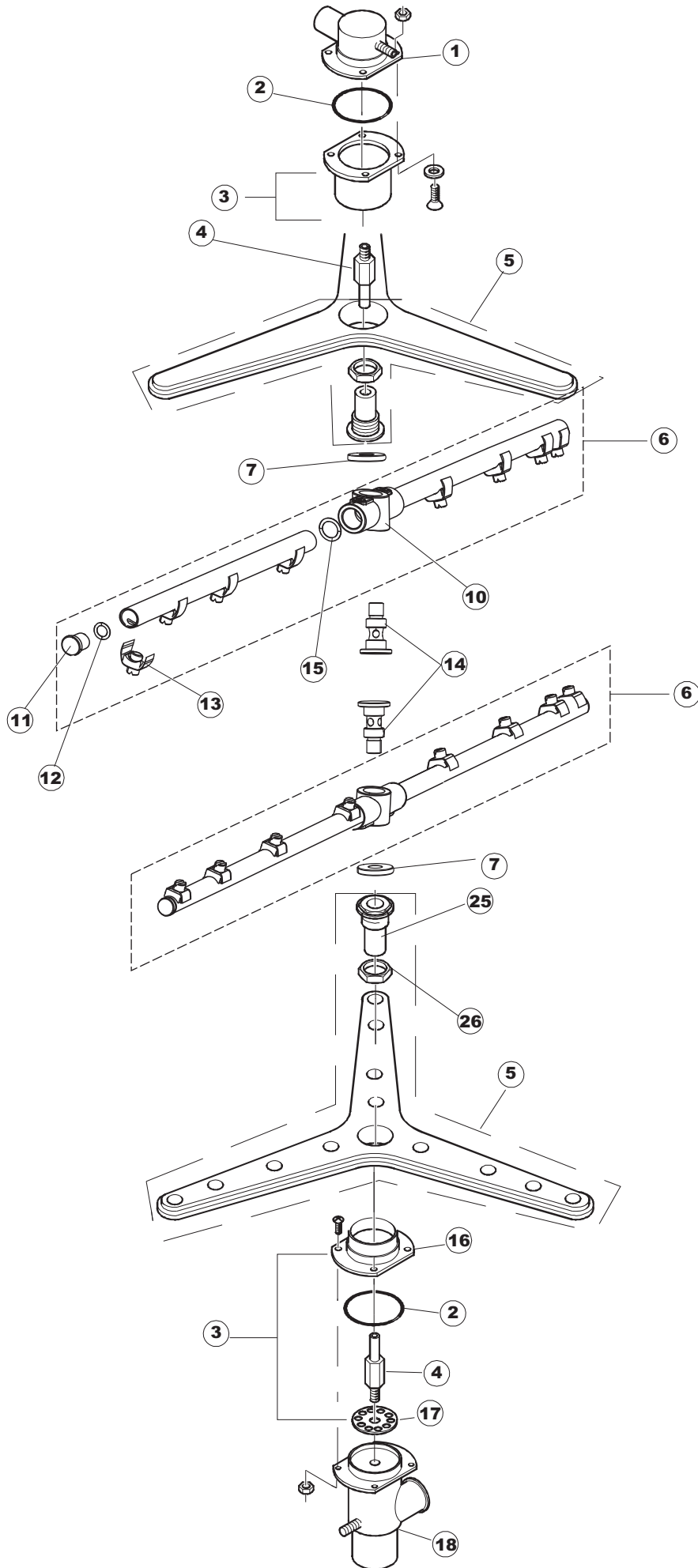


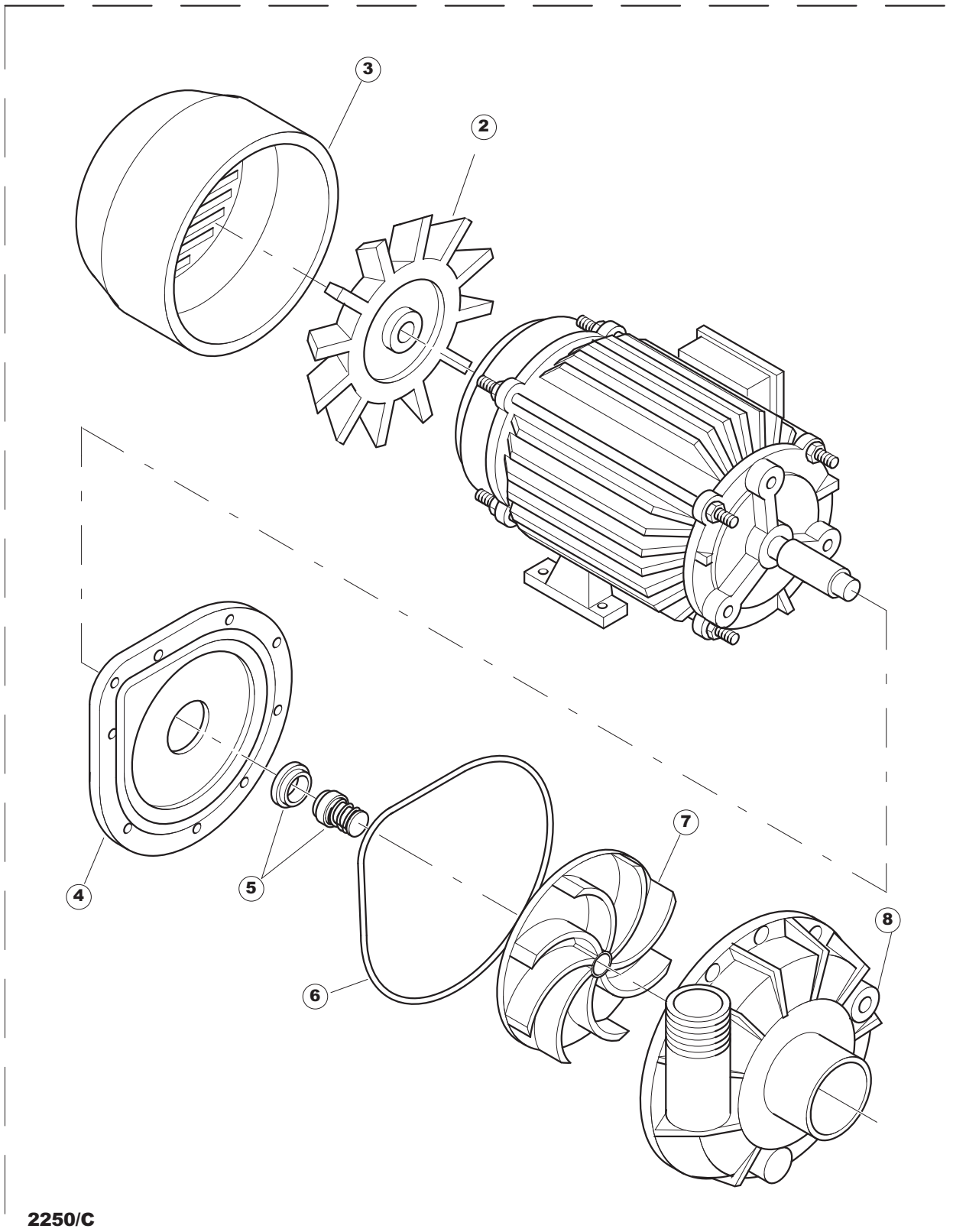












1

(*) Recommended spare part.

Page	Spare part position	Spare part code no.	Old code number	Description	U.m.
1	1	42118		TOP PANEL	NR
1	2	42810		LEFT SIDE PANEL	NR
1	3	42814		RIGHT SIDE PANEL	NR
1	4	42622		BACK PANEL	NR
1	5	80871		MAGNETIC DOOR SWITCH	NR
1	6	44265		DOOR SLIDING GUIDE - UPPER	NR
1	7	42680		PRICE TO BE DEFINED	
1	8	42570		LOWER DOOR	NR
1	9	42124		FRONT PANEL	NR
1	10	42042		TOP DOOR-STOP BAR	NR
1	11	4108701		DOOR BRACKET	NR
1	12	4108801		SUPPORT BRACKET	NR
1	13	42045		PRICE TO BE DEFINED	
1	14	41247		PRICE TO BE DEFINED (PART NR. REPLACED BY 41247MT)	
1	14	41247MT		GASKET	MT
1	15	44593		DOOR LEVER	NR
1	16	41095		UPPER BUSH FOR DOOR TIE FOR POT AND PAN WASHERS	NR
1	17	486078		STAINLESS STEEL SCREW 6MAX30 T.1/2 TC	NR
1	18	43527		GUARD	NR
1	19	42539		RACK SLIDE	NR
1	20	4113501		DOOR SIDE THICKNESS - DX/SX	NR
1	21	4114501		SMALL PLATE FOR DOOR PIN	NR
1	22	42621		BACK PANEL	NR
1	23	927006		FOOT	NR
1	35	929199		PART NUMBER NO LONGER AVAILABLE	
1	36	41100		DOOR BEATING POINT BUFFER	NR
2	1	41416		COVER	NR
2	2	73350		CONTACTOR	NR
2	3	73351		CONTACTOR	NR
2	4	41415		WIRING PANEL	NR
2	5	215032-1		MAIN BOARD	NR
2	6	228012		FUSE	NR

(*) Recommended spare part.

Page	Spare part position	Spare part code no.	Old code number	Description	U.m.
2	7	228011		FUSE	NR
2	8	228004		FUSE (PART NR. REPLACED BY 228010)	
2	8	228010		FUSE	NR
2	9	220011		TERMINAL BLOCK	NR
2	10	DEP521		CABLE GLAND	NR
2	11	80997		POWER CABLE	NR
2	12	CWP2		FOOT	NR
2	13	80934		FLAT CABLE	NR
2	14	80889		CONTROL KEYBOARD	NR
2	15	417119		NUT	NR
2	16	419036		INTERFACE BOARD DISTANCE KEEPERS	NR
2	17	231016		TEMPERATURE PROBE	NR
2	18	42124		FRONT PANEL	NR
2	19	41728		CONTROL ADHESIVE INTERFACE	NR
2	20	69810		CURTAIN	NR
3	1	472061		PART NUMBER NO LONGER AVAILABLE	
3	2	42092		ASPIRATION FILTER SLIDE	NR
3	3	75661		PUMP ASPIRATION FILTER	NR
3	4	K42171		STRAINER KIT	NR
3	5	926049		PRESSURE SWITCH	NR
3	6	143253		PIPE	MT
3	7	CFF10073		PRICE TO BE DEFINED (PART NR. REPLACED BY 423028)	
3	7	423028		HOSE CLAMP	NR
3	8	70600		AIR TRAP FOR PRESSURE SWITCH	NR
3	9	437098		GASKET	NR
3	10	417120		NUT	NR
3	11	42582		OVERFLOW PIPE	NR
3	12	CGR4131NT		O-RING	NR
3	13	456002		O-RING	NR
3	14	230020C		KIT HEATING ELEMENTS REB230020 (8KW)	NR
3	15	69870		BOILER HEATING ELEMENT PROTECTION	NR
3	16	143005		LINEN RUBBER PIPE 5X12 - BLACK	MT

(*) Recommended spare part.

Page	Spare part position	Spare part code no.	Old code number	Description	U.m.
3	17	143261		HOSE	NR
3	18	143258		"SANTOPRENE" PIPE	NR
3	19	H.775601		PIPE	MT
3	20	121075		PRICE TO BE DEFINED (PART NR. REPLACED BY 121993)	
3	20	121993		FILTER AID DISPENSER	NR
3	21	143194		PIPE	MT
3	22	80675		SUPPORT BRACKET	NR
3	23	209043		DETERGENT DOSING PUMP	NR
3	24	209042		DOSING PUMP	NR
3	25	999348		DETERGENT TANK FITTING	NR
3	45	75871		DRAIN CONNECTION	NR
3	46	75873		GASKET	NR
3	47	75872		NUT WASTE DRAIN	NR
4	1	4205901		HIGHER MANIFOLD	NR
4	2	43555		PIPE	NR
4	3	929174		WASHPUMP	NR
4	5	4206301		LOWER MANIFOLD	NR
4	6	929164		PIPE ELBOW	NR
4	7	926056		PIPE ELBOW	NR
4	8	42028		PRICE TO BE DEFINED (PART NR. REPLACED BY 929165T)	
4	8	929165T		PIPE INOX D60 L92	NR
5	1	143010		RUBBER PIPE 12X19,5	MT
5	2	927322		HOSE CLAMP	NR
5	3	143173		RINSE MANIFOLD (PART NR. REPLACED BY 143268)	
5	3	143268		JUNCTION "Y"	NR
5	4	H.165168		PIPE	MT
5	5	423026		CABLE TIE	NR
5	6	41525		RINSE DELIVERY TUBE(CRP)	NR
5	7	144021		BREAK TANK	NR
5	8	926189		CONTACT SAFETY-THERMOSTAT	NR
5	9	456002		O-RING	NR
5	10	231016		TEMPERATURE PROBE	NR

(*) Recommended spare part.

Page	Spare part position	Spare part code no.	Old code number	Description	U.m.
5	11	230020C		KIT HEATING ELEMENTS REB230020 (8KW)	NR
5	12	69870		BOILER HEATING ELEMENT PROTECTION	NR
5	13	104061		BOILER	NR
5	14	CFS18		HOSE CLAMP	NR
5	15	69068		PIPE	NR
5	16	423008		PRICE TO BE DEFINED	
5	17	80627		RINSE PUMP 50 HZ	NR
5	19	929169		PRICE TO BE DEFINED (PART NR. REPLACED BY 143270)	
5	19	143270		INLET WRAS PIPE	NR
5	20	240018		SOLENOID VALVE	NR
5	21	143004		PIPE	MT
5	23	144032		LOADING SYSTEM BOILER CRP WITH BELL PRESSURE SWITCH	NR
5	24	127095		BOILER PIPE	NR
5	26	224002		PRESSURE SWITCH TYPE 110-60	NR
5	31	929171		RUBBER PIPE 20X29	MT
5	33	417125		NUT	NR
5	34	437104		GASKET	NR
6	1	4205901		HIGHER MANIFOLD	NR
6	2	926252		O-RING	NR
6	3	41064CP		SUPPORT COUNTER-FLANG OF WASH ARM OF POT AND PAN WASHER	NR
6	4	42053		PIVOT	NR
6	5	929196		COMPLETE WASH ARM	NR
6	6	42677		COMPLETE RINSE ARM	NR
6	7	K80679		RING NUT M12 WITH TEFLON WASHER	NR
6	10	69632		BODY ARM	NR
6	11	926132		PLASTIC RINSE ARM CAP	NR
6	12	456030		O-RING	NR
6	13	140036		RINSE JET	NR
6	14	80644		PIVOT	NR
6	15	456019		O-RING	NR
6	16	41064		SUPPORT COUNTER-FLANGE OF WASH ARM OF POT AND PAN WASHER	NR
6	17	41185		REDUCER FOR POT AND PAN WASHER	NR

(*) Recommended spare part.

Page	Spare part position	Spare part code no.	Old code number	Description	U.m.
6	18	4206301		LOWER MANIFOLD	NR
6	25	926129		SUPPORT/HUB FOR WASH-ARM - DISHWASHERS	NR
6	26	80314		PART NUMBER NO LONGER AVAILABLE (PART NR. REPLACED BY 926128)	
6	26	926128		HUB SUPPORT NUT FOR WASHING ARMS FOR DISHWASHERS MOD L51/52 (S6695)	NR
7	1	929174		WASHPUMP	NR
7	2	929189		WASHPUMP FUN	NR
7	3	929188		ELECTROPUMP FAN COVER	NR
7	4	929190		PART NUMBER NO LONGER AVAILABLE	
7	5	929179		WASHPUMP SHAFT SEAL FOR ELECTROPUMP	NR
7	6	929180		ELECTROPUMP PACKING 2250	NR
7	7	929181		ELECTROPUMP IMPELLER	NR
7	8	929191		ELECTROPUMP HOUSING	NR